

# news

Neues von SCHENCK PROCESS

Heavy Industry 01.2003.GB

## Simple, Reliable and Precise Ideally suited to rugged environments Ladle Weighing System

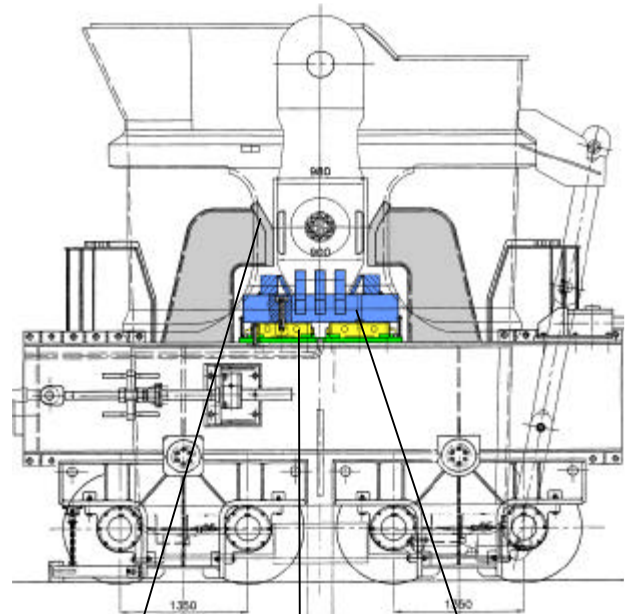


Quelle: Stahl-Zentrum

Increase Safety and Efficiency in your production process by installing a Ladle Weighing System!

Knowing the precise net weight of each ladle will allow you to:

- Supervise and control the whole steel making process with certain knowledge of the amounts and locations of Pig Iron and Steel within the process



Primary ladle guide      Weighbeam      Weighbridge with Final ladle guide

- Calculate the most efficient amounts of Scrap and Alloys to be used
- Reduce spillage during the filling and pouring process

**Keep in Motion**

